
RANGE SUMMARY

The EnerSys[®] range of PowerSafe[®] VE valve regulated lead acid batteries has been designed to offer competitive solutions for the global telecommunications and information technology markets. PowerSafe VE batteries incorporate selected design features for the cost-conscious user, whilst retaining superior performance by weight and volume, increased flexibility of installation and reduced maintenance.

PowerSafe VE batteries are designed using proven gas recombination technology which removes the need for regular water addition by controlling the evolution of hydrogen and oxygen during charging. Oxygen evolved at the positive plates diffuses through microporous separators to the negative plates, and, by a series of chemical reactions within the cell, recombines to form water. Each cell incorporates its own safety valve that allows the controlled release of gas when pressure builds up within the cell.

The use of gas recombination technology for lead acid batteries has totally changed the concept of standby power. This technology provides the user with the freedom to use lead acid batteries in a wide range of applications. The overall design, material specification and construction of PowerSafe VE batteries make them most suitable for other more traditional sectors, such as emergency lighting and engine starting.

Features & Benefits

- Capacity range: 46Ah - 518Ah
- Available in 2, 6 and 12 volt blocs
- Optimised for Telecom applications
- Container and lid in strong ABS
- "High Performance" Eurobat classification
- Easy installation: vertical or horizontal position



Construction

- Positive plates designed to extend service life
- Separator in low resistance microporous glass fibre
- Container and lid in tough ABS material. The lid is heat-welded to the container
- Terminal with brass insert for maximum conductivity and with high compression grommet for long life
- Self-regulating pressure relief valve prevents ingress of atmospheric oxygen
- Terminal insulating covers for added safety fitted as standard

Installation & Operation

- PowerSafe® VE batteries are designed for installation in cabinets or on stands. A separate battery room is not necessary
- PowerSafe VE batteries can be mounted in vertical or horizontal orientation.
- Recommended float charge voltage:
2.280Vpc at 20°C (68°F)
2.265Vpc at 25°C (77°F)
- Reduced maintenance:
no water addition required

Standards

- Tested according to international standard IEC 60896-21 and compliant to defined requirements of IEC 60896-22
- Classified as “High Performance” according to the Eurobat Guide
- Able to be shipped as non-hazardous cargo in accordance with the requirements of IMDG (International Maritime code for Dangerous Goods) and ICAO (International Civil Aviation Organisation)
- Manufactured in EnerSys® ISO 9001:2000 certified production facilities

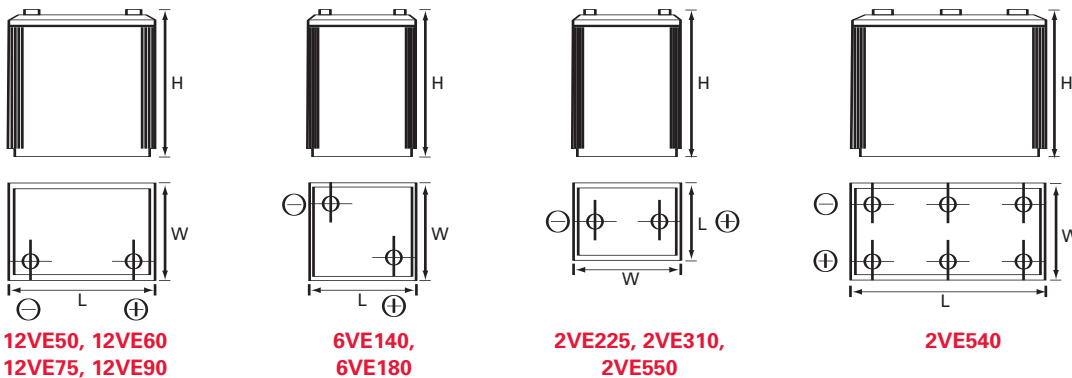
General Specifications

PowerSafe® VE Battery Types	Nominal Voltage (V)	Nominal Capacity (Ah)		Nominal Dimensions								Short Circuit Current (A) ⁽²⁾	Internal Resistance (mΩ) ⁽²⁾	Terminals
		10 hr rate to 1.80Vpc @ 20°C	8 hr rate to 1.75Vpc @ 77°F	Length		Width ⁽¹⁾		Overall Height		Typical Weight				
				mm	in	mm	in	mm	in	kg	lbs			
12VE50	12	46	47	218	8.58	164	6.46	220	8.66	18.9	41.7	1783	6.94	M6 F
12VE60 ⁽³⁾	12	56	59	271	10.7	164	6.46	220	8.66	22.9	50.5	1962	6.31	M6 F
12VE75 ⁽³⁾	12	68	70	314	12.4	164	6.46	220	8.66	26.7	58.9	2440	5.07	M6 F
12VE90 ⁽⁴⁾	12	79	82	360	14.2	164	6.46	228	8.98	31.5	69.5	2717	4.55	M6 F
6VE140 ⁽⁴⁾	6	132	134	243	9.57	206	8.11	234	9.21	27.9	61.5	4348	1.43	M8 F
6VE180 ⁽⁴⁾	6	173	172	296	11.7	204	8.03	234	9.21	34.1	75.2	5136	1.21	M8 F
2VE225	2	200	194	110	4.33	208	8.19	260	10.2	13.9	30.6	5295	0.39	M8 F
2VE310	2	275	267	142	5.59	208	8.19	261	10.3	18.5	40.8	6596	0.32	M8 F
2VE540 ⁽⁴⁾	2	518	516	296	11.7	204	8.03	240	9.45	34.7	76.5	14857	0.14	M8 F
2VE550 ⁽³⁾	2	500	484	238	9.37	208	8.19	261	10.3	32.5	71.7	9237	0.22	M8 F

Notes:

- (1) In horizontal installation, the width of PowerSafe VE batteries becomes the height, irrespective of positive and negative polarities
- (2) Figures obtained via IEC method
- (3) Handles available as an option
- (4) With handles

Terminal Layouts



www.enersys-emea.com

EnerSys
P.O. Box 14145
Reading, PA 19612-4145
USA
Tel: +1-610-208-1991
+1-800-538-3627
Fax: +1-610-372-8613

EnerSys Europe
Zurich, Switzerland

EnerSys Asia
Guangdong, China
Tel: +86-755-2689 3639

EnerSys Ltd.
Rake Lane,
Clifton Junction,
Swinton, Manchester
M27 8LR, UK
Tel: +44 (0)161 794 4611
Fax: +44 (0)161 727 3809

Contact:

© 2009 EnerSys. All rights reserved.
Trademarks and logos are the property of EnerSys and its affiliates unless otherwise noted.